

1

2

3

4

5

6

RevNo

Revision note

Date

Signature

Checked

A

B

C

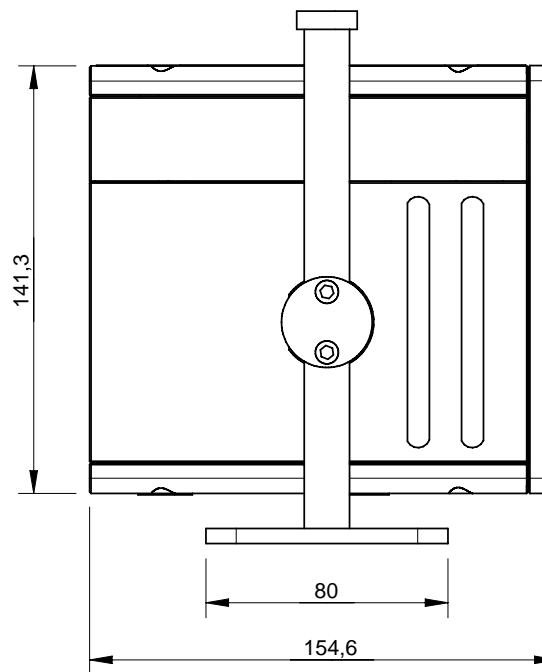
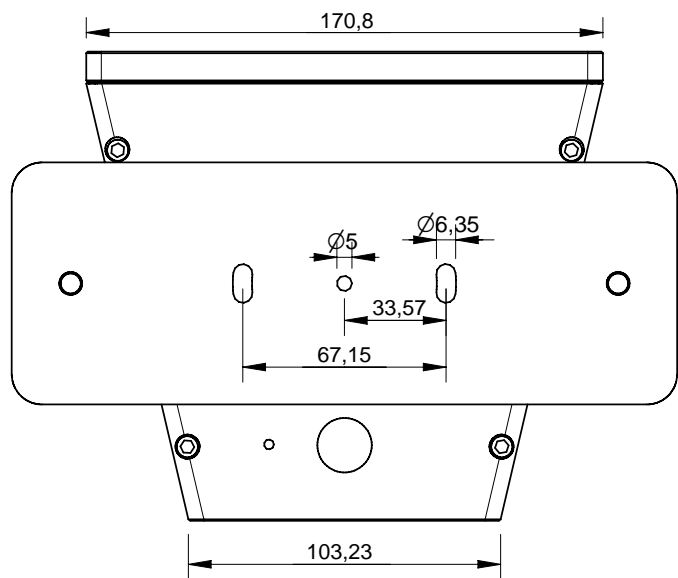
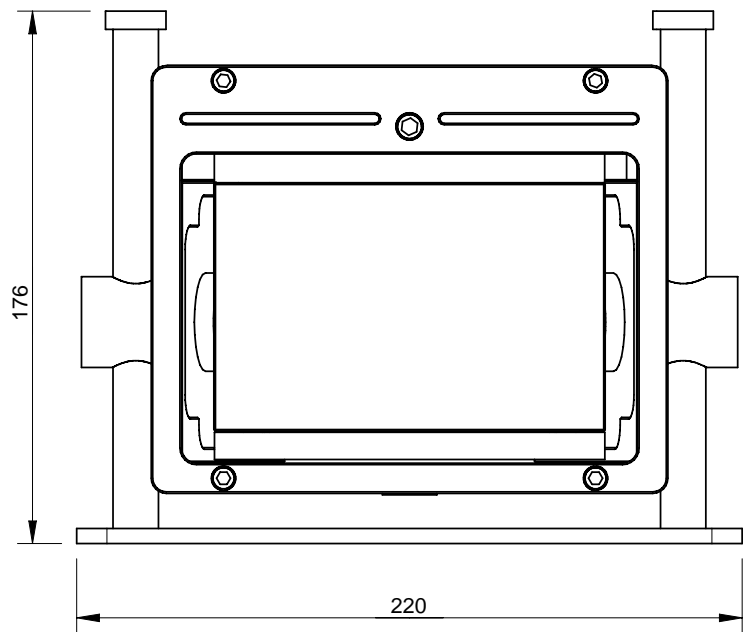
D

A

B

C

D



HD-6000F					Edition	Sheet
					6	

1

2

3

6