

1

2

3

4

5

6

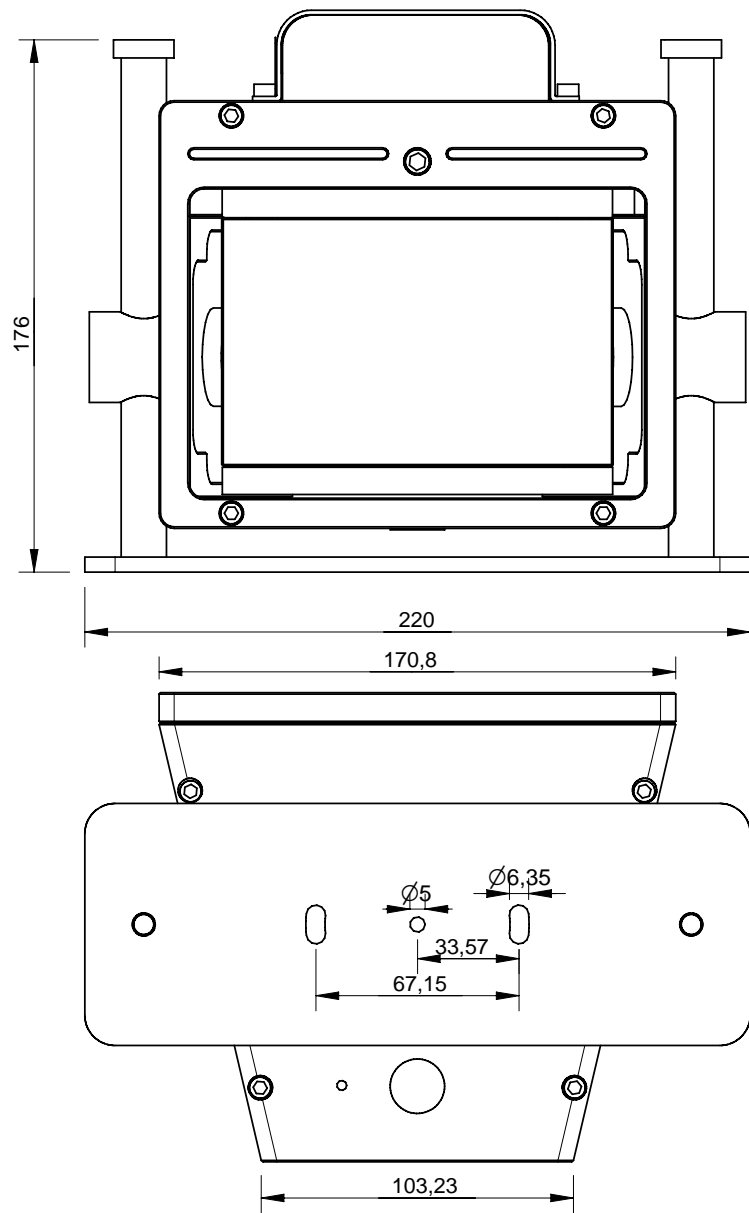
RevNo	Revision note	Date	Signature	Checked
-------	---------------	------	-----------	---------

A

B

C

D

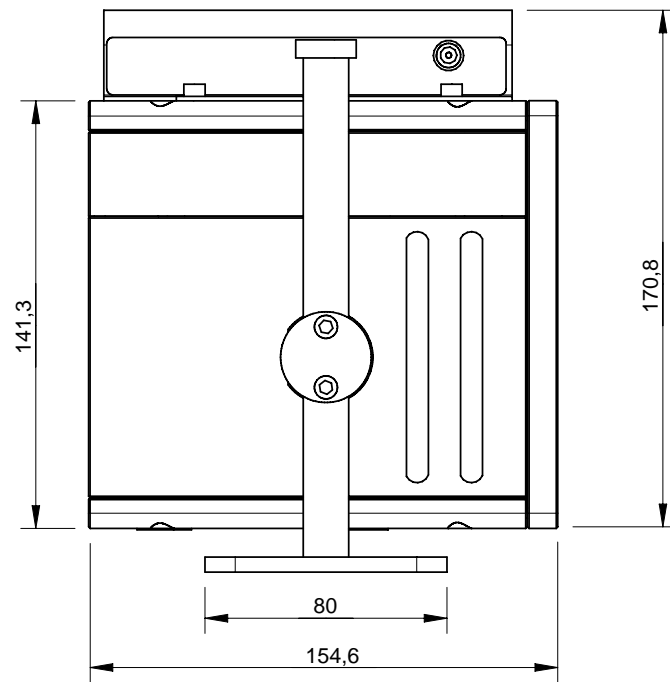


A

B

C

D



HD-6000FX			Edition	Sheet
			6	

1

2

3

6