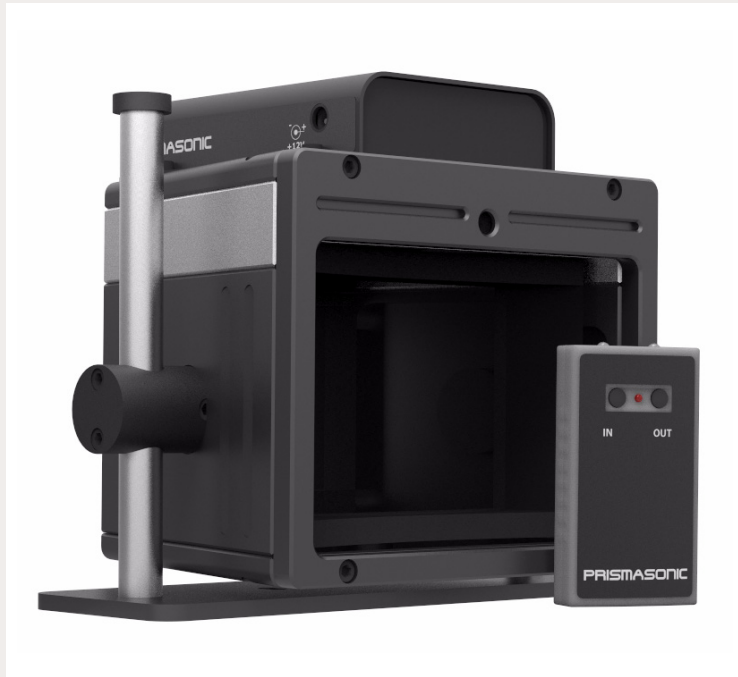


A Picture to Remember



INSTALLATION INSTRUCTIONS

Carefully remove and unwrap all the contents of box. Referring to the parts list, make sure you have everything needed to proceed with the installation of the lens. If any parts are missing, contact PrismaSonic immediately.

Inspect the lens to make sure there are no shipping defects. If you notice a problem with the lens itself, or the lens' mechanical system, contact PrismaSonic immediately.

Parts list:

- Lens Unit
- Table Stand
- Power Cord
- Power Converter
- Remote Controller
- L-Wrench, 3 mm
- L-Wrench, 4 mm
- L-Wrench, 5 mm
- Black cap
- Instruction Manual

Bringing the lens into the use:

STEP 1

Lift the lens up and flip it upside down in a stand. By using the **L-wrench, 5 mm** carefully remove the delivery lock screw of large lens from the bottom plate (**Fig 1-a**). After this release the two upper screws of front element (**Fig 1-b**) by using the **L-wrench 3mm**.

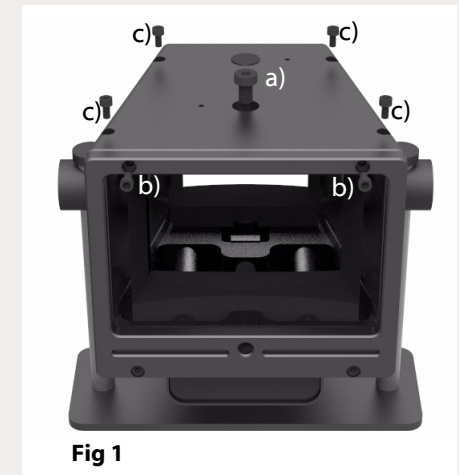


Fig 1



Fig 2

STEP 2

Remove the bottom plate (**Fig 2**) of housing by releasing the four screws on the bottom plate (**Fig 1-c**). Now carefully take off the plastic cover coats from both sides of both lenses. Remove also the cover coats from both IR windows of motor box.

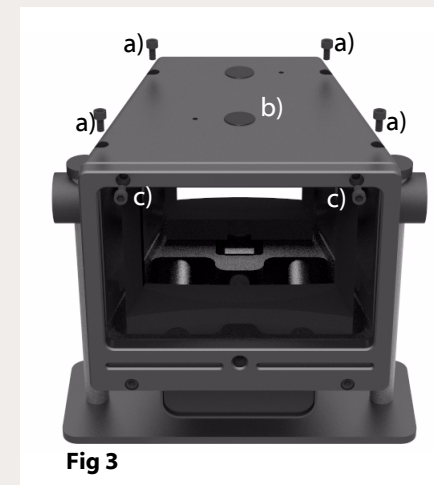


Fig 3

STEP 3

Insert the bottom plate back to the housing and prepare to affix the four screws (**Fig 3-a**) with **L-wrench, 3mm**. Tighten the screws securely. Also insert the **black cap** into the slot of bottom plate (**Fig 3-b**).

Now also attach the two cap screws of front plate back to their places (**Fig 3-c**).

Flip the lens back upright in a stand. **Your lens is now ready for the setting up!**

Setting up the system:**STEP 4**

Make sure the projector is turned on. It is helpful to have a picture that fills the entire panel of 16:9 projector. With a 2.40:1 source material the vertical expand is good to be performed to the picture at this step (Fig 4).

Now carefully adjust the focus of projector. Also make sure the image is symmetrically in the center of the 2.40:1 screen.



Fig 4

STEP 5

Carefully position the lens with a stand in front of the projector, with the small opening closest to the projector lens and the large opening pointing towards the screen.

Now manually adjust the lens in a stand. Make sure the entire beam fits centered within the two lenses (Fig 5). Lower, raise, turn and tilt the lens until the desired height and angle is reached, and the picture is symmetrically in the center of the 2.40:1 screen.

NOTE: The optimum symmetry for the projected picture can only be found by tilting the lens to the direction of the beam

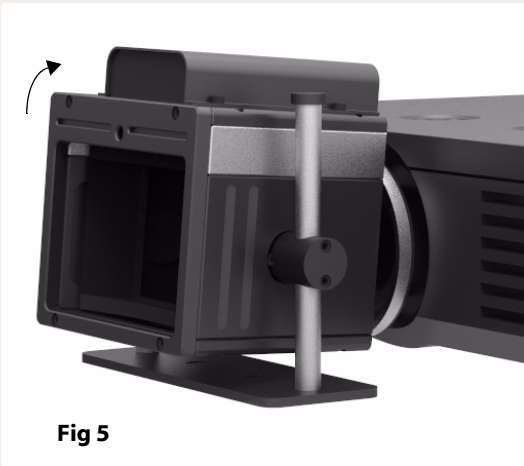


Fig 5

STEP 6

Make sure the power cord has been connected to the lens motor box. Now adjust the lens focus. Using the remote control, press and hold "in" or "out" (Fig 6) until the 2.40:1 picture gets focused. It is helpful to use a test grid to monitor when the horizontal and vertical lines in picture become in focus simultaneously.



Fig 7



Fig 6

STEP 7

In case the friction based lens height (Fig 7-a) or the tilt (Fig 7-b) adjusting mechanism become too loose, it is possible to get them tightened with the set screws of stand drums on both sides of the lens. Use the **L-wrench, 4 mm** for tightening the screws.

You're done. Enjoy your new 2.40:1 picture!

Maintenance:

Your PrismaSonic lens was designed to require very minimal cleaning. It is best to only wipe the lens housing with a clean, damp, soft cloth when needed.

Cleaning the optics:

Only use optically safe lens cleaning solutions and a clean, lint-free cloth certified for cleaning of lens materials. In order to clean the optics from both sides, the bottom plate can be temporarily removed.